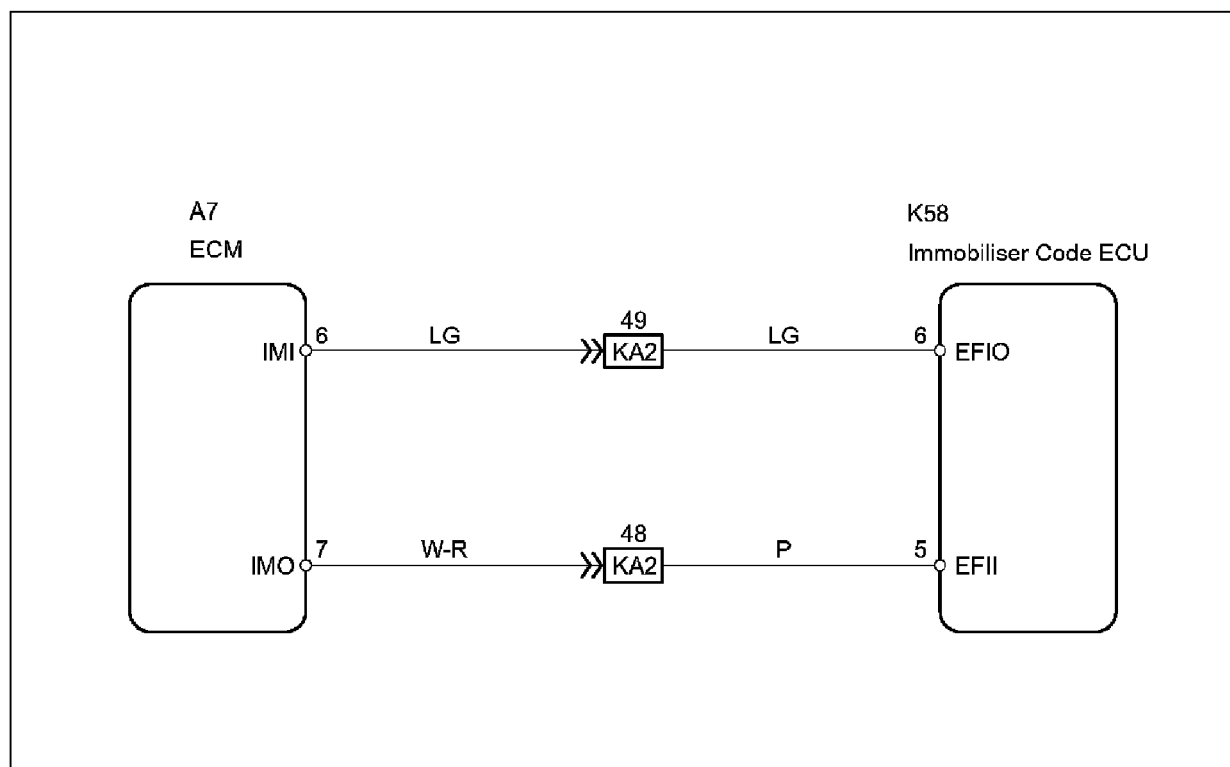


A L L Diagnostic Trouble Codes (DTC): B Code Charts**B2799****DTC B2799 Engine Immobilizer System****DESCRIPTION**

DTC No.	DTC Detection Condition	Trouble Area
B2799	One of following conditions is met: <ul style="list-style-type: none"> • Error in communication between ECM and immobiliser code ECU • Error in communication lines • Communication ID is different during communication with immobiliser code ECU 	<ul style="list-style-type: none"> • Wire harness • Immobiliser code ECU • ECM

DTC Detection Condition

This DTC is output when one of the following occurs: 1) the ECM detected errors in its own communications with the immobilizer code ECU; 2) the ECM detects errors in the communication lines; or 3) the ECU communication ID between the immobilizer code ECU and ECM is different and an engine start is attempted. Before troubleshooting for this DTC, make sure no certification ECU DTCs are present. If present, troubleshoot the certification ECU DTCs first.



Y

B10E130E01

Wiring Diagram

1	CHECK FOR DTC
----------	----------------------

Step 1

(b) Recheck for DTC.

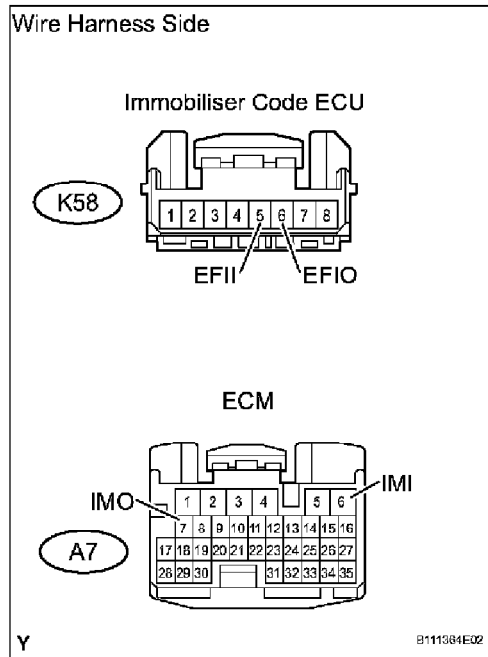
Result:

Result	Proceed to
B2799 output reoccurs	A
B2799 output does not reoccur	B

B → **NORMAL**

A

2 CHECK WIRE HARNESS (IMMOBILISER CODE ECU - ECM)



- (a) Disconnect the K58 ECU connector.
- (b) Disconnect the A7 ECM connector.
- (c) Measure the resistance of the wire harness side connectors.

Standard resistance

Tester Connection	Specified Condition
K58- 5 (EFII) - A7-7 (IMO)	Below 1 Ω
K58-6 (EFIO) - A7-6 (IMI)	Below 1 Ω
K58-5 (EFII) or A7-7 (IMO) - Body ground	10 kΩ or higher
K58-6 (EFIO) or A7-6 (IMI) - Body ground	10 kΩ or higher

NG → **REPAIR OR REPLACE HARNESS AND CONNECTOR**

OK

3 REREGISTER ECU CODE

- (a) Reregister the recognition codes in ECUs.
- (b) Check that the engine switch can be turned on (IG).

OK:

Engine switch can be turned on (IG).

OK → **END**

NG

4 CHECK OPERATION OF IMMOBILISER CODE ECU

- (a) After replacing the immobiliser code ECU with a normal one, check that the engine starts.

OK:

Engine starts.

Step 1(continued)-4

NG → **REPLACE ECM**

OK

END

INSPECTION PROCEDURE